

第27回全日本少年フットサル大会十勝地区予選

組合せ表

2017/3/4 (土)・5 (日)

札内スポーツセンター・サンドームおとふけ

1次ラウンド

1次ラウンド試合進行表 3/4 (土)

Table with 10 columns: Team, Goals, Points, etc. for A Block (A Court) at 札内スポーツセンター.

Table with 10 columns: Team, Goals, Points, etc. for F Block (A Court) at サンドームおとふけ.

Table with 10 columns: Team, Goals, Points, etc. for B Block (A Court) at 札内スポーツセンター.

Table with 10 columns: Team, Goals, Points, etc. for G Block (A Court) at サンドームおとふけ.

Table with 10 columns: Team, Goals, Points, etc. for C Block (A・B Court) at 札内スポーツセンター.

Table with 10 columns: Team, Goals, Points, etc. for H Block (A・B Court) at サンドームおとふけ.

Table with 10 columns: Team, Goals, Points, etc. for D Block (B Court) at 札内スポーツセンター.

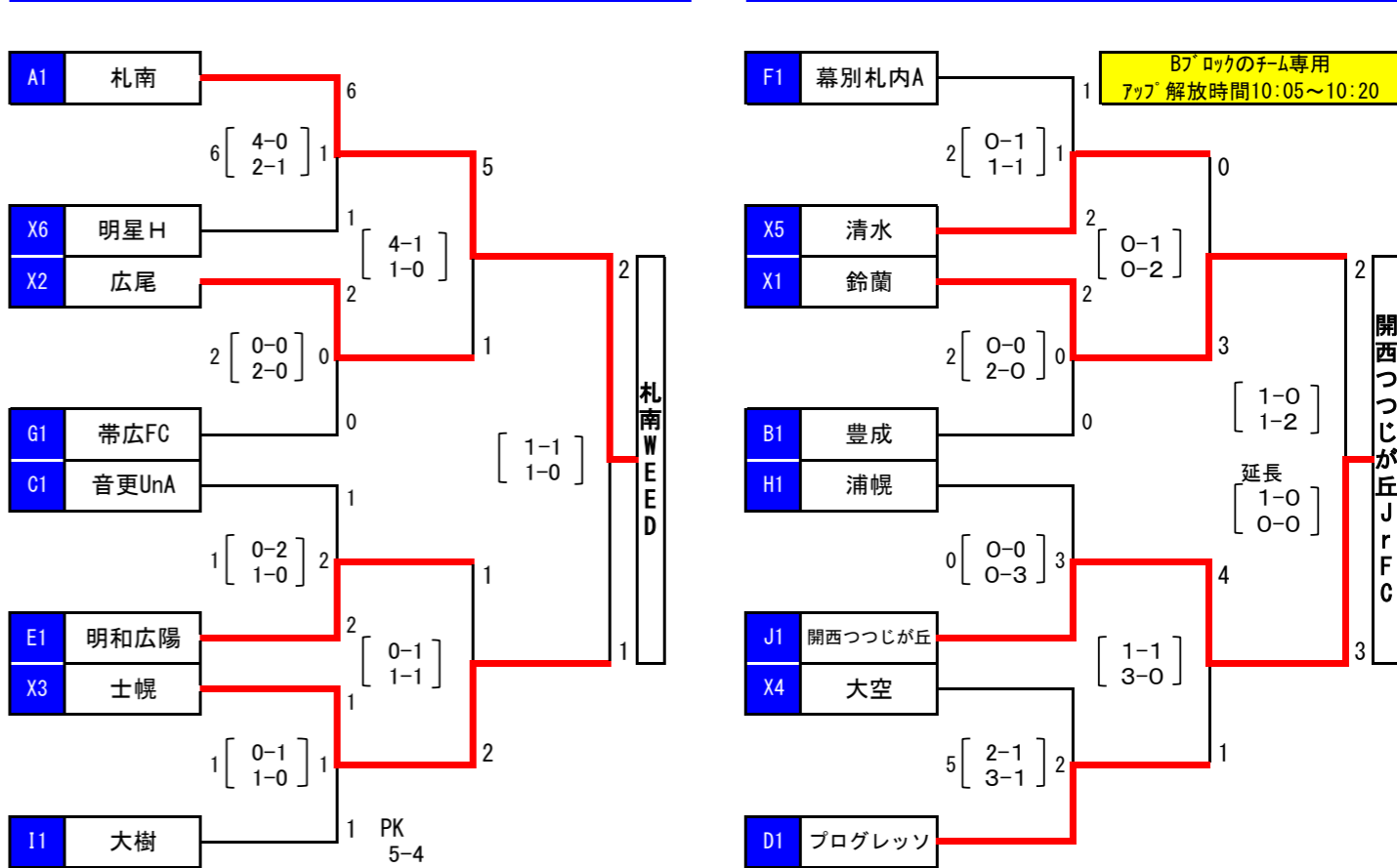
Table with 10 columns: Team, Goals, Points, etc. for I Block (B Court) at サンドームおとふけ.

Table with 10 columns: Team, Goals, Points, etc. for E Block (B Court) at 札内スポーツセンター.

Table with 10 columns: Team, Goals, Points, etc. for J Block (B Court) at サンドームおとふけ.

Table with 15 columns: Match, Time, Teams, Goals, Points, etc. for 1st Round matches at both venues.

決勝トーナメント 3/5 (日) 札内スポーツセンター



Competition rules and regulations section including '競技規則' (Competition Rules), '競技方法' (Competition Method), '審判運営' (Referee Management), '懲罰' (Penalties), '表彰' (Awards), and 'その他' (Others).

試合時間 10分-3分-10分